

CABLE 299 RF: MCX R/A PLUG + SMA STRAIGHT BULKHEAD JACK WITH O-RING RATED TO IP67/68 + RG178 CABLE

SPECIFICATIONS :

1. MCX RIGHT ANGLE PLUG, P/N: RFCT-MCX008-M78.
2. RG178 COAXIAL CABLE, COLOR: BROWN.
3. SMA STRAIGHT BULKHEAD JACK WITH O-RING RATED TO IP67/68, P/N: RFCT-SMA002-F78.

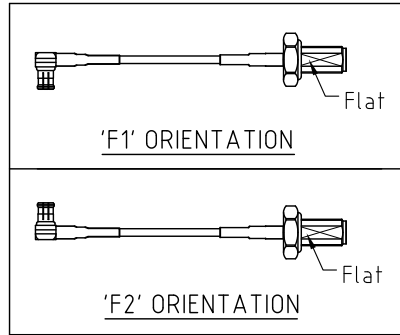
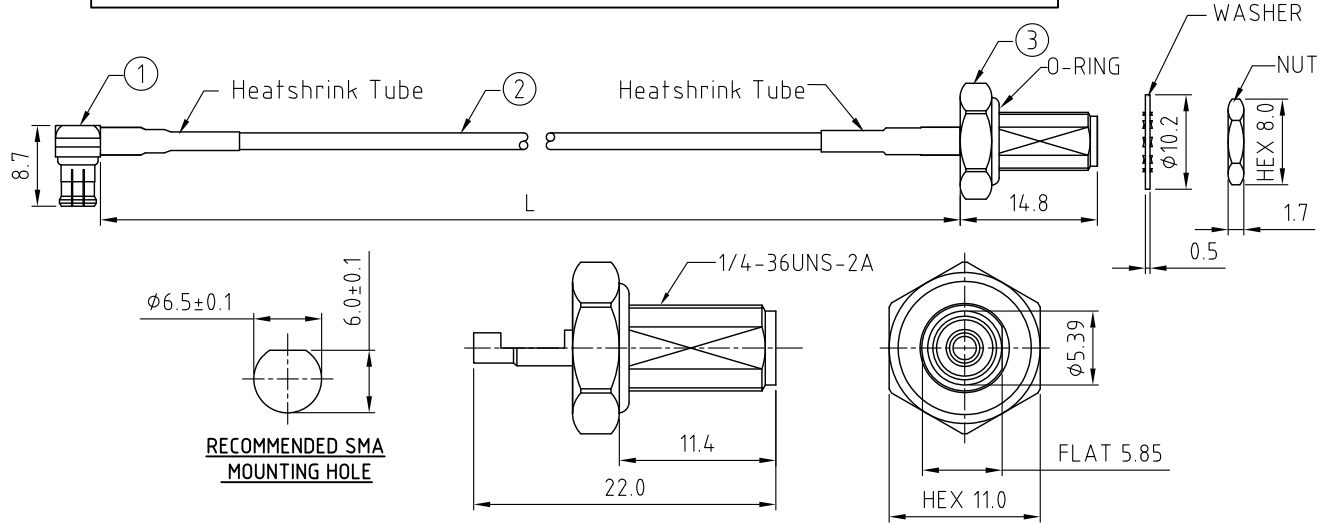
ENVIRONMENTAL:

- A. BULKHEAD MOUNTED CONNECTOR (RFCT-SMA002-F78) TESTED TO THE FOLLOWING SPECIFICATION:
- i. IP6X - DUST TIGHT - NO PARTICLE INGRESS.
 - ii. IPX7 WATERPROOF FOR 30 MINUTES UP TO 1 METER UNDERWATER.
 - iii. IPX8 WATERPROOF FOR 48 HOURS AT 1 METER UNDERWATER.
 - iv. IPX8 WATERPROOF FOR 12 HOURS AT 5 METERS UNDERWATER.
 - v. PRESSURE TEST - 1 BAR FOR 10 SECONDS.

USAGE PRECAUTIONS: CABLES USING 'MICRO' COAX ARE DELICATE:
 (i) HANDLE WITH CARE.
 (ii) DO NOT TWIST; APPLY EXCESSIVE FORCES OR SHARP BENDS TO THE CABLE. DO NOT FORCEFULLY DEFORM WIRES.
 (iii) CONSULT CONNECTOR MANUFACTURER'S DATASHEETS FOR DETAILED NOTES ON HANDLING INSTRUCTIONS.

NOTES:

1. THE ORIENTATION OF CONNECTORS ON DRAWING IS FOR REFERENCE ONLY, IF THE ORDER IS LEFT BLANK THE CONNECTOR WILL NOT HAVE FIXED ORIENTATION.
2. FIXED ORIENTATION IS SUGGESTED FOR CABLE LENGTH 50MM TO 100MM. PLEASE SPECIFY THE FIXED ORIENTATIONS FROM THE ORDER CODE (F1, F2, ETC)
3. CONTACT GRADCONN IF THE ORIENTATION YOU REQUIRE IS NOT SHOWN.
4. WORKING FREQUENCY RANGE: DC-3GHz.



HOW TO ORDER
 CABLE 299 RF - XXXXX - XX - X - 1 - XX

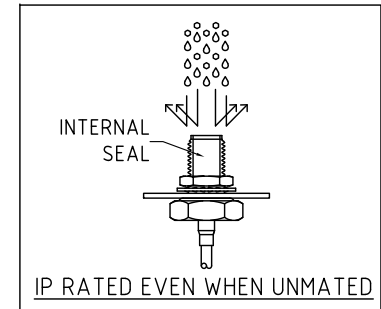
"L" LENGTH IN MM:
 eg: 100MM = 0100
 (MIN. 0050-MAX.2000
 STANDARD = 0100, 0150, 0200)
 Tolerance: <50mm: ±2mm.
 51-200mm: ±5mm.
 201-500mm: ±7mm.
 >501mm: ±10mm.

HEATSHRINK TUBE OPTIONS:
 BLANK = WITH TUBE (STANDARD)
 NT = WITHOUT TUBE

WASHER AND NUT OPTIONS:
 BLANK = SEPARATELY PACKED (STANDARD)
 A = ALL ASSEMBLED WITH CONNECTOR

ORIENTATION OPTIONS:
 BLANK = DOES NOT HAVE A FIXED ORIENTATION
 F1 = MCX CONNECTION DOWN (L=50-200MM)
 F2 = MCX CONNECTION UP (L=50-200MM)
 (SEE NOTES 1, 2, 3 AND DIAGRAMS FOR MORE INFORMATION)

SMA DETAIL DRAWING



REV. DATE & DRN
 10 31/07/19 - INTX RELEASE
 11 05/09/19 - INTX TUBE OPTIONS
 12 10/03/24 - CC
 ADD IP RATING VIEW

Scale: NTS	THIRD ANGLE	Unstated .X .XX .XXX ANGLES	Tolerances: N/A N/A N/A N/A
Drawn: CC			
App'd: XXX	Title CABLE ASSEMBLY		
Date: 10 MAR. '24	Revision: 1.2	Unit: mm	



IP Rated RF Products



www.gradconn.com

THIS DRAWING IS CONFIDENTIAL AND MUST NOT BE COPIED OR DISCLOSED WITHOUT WRITTEN CONSENT

Type: Cable 299 RF
CABLE 299 RF
Drawing Number:
Sheet 1 of 1
Drawing © E and O E